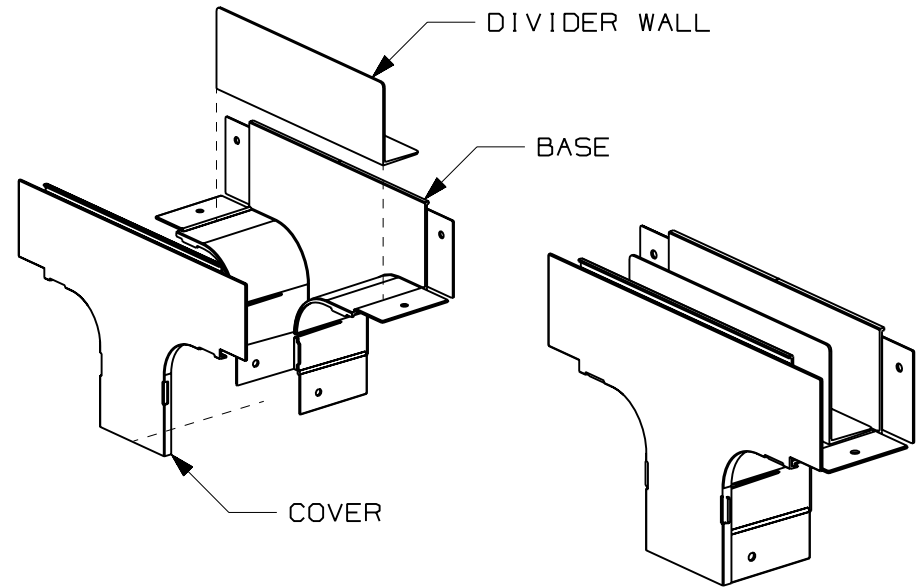
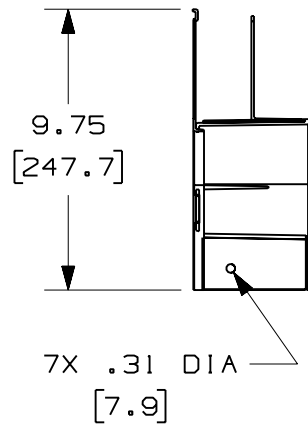
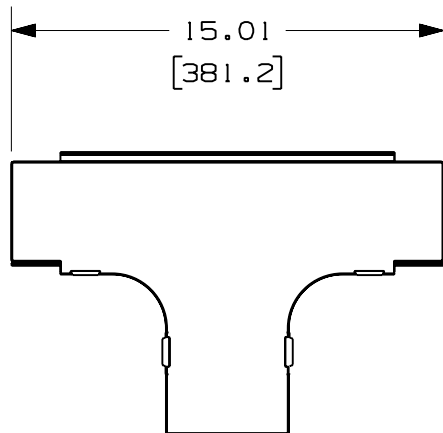
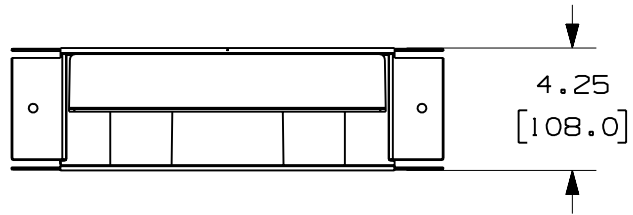


THIS COPY IS PROVIDED ON A RESTRICTED BASIS AND IS NOT TO BE USED IN ANY WAY DETRIMENTAL TO THE INTERESTS OF PANDUIT CORP.

PANDUIT PART NUMBER	WEIGHT
FVT4X4	1.27 LB/EACH (575g/EACH)

**NOTES:**

1. SEE CURRENT CATALOG FOR ADDITIONAL PART SUFFIXES TO INDICATE COLOR AND/OR PACKAGE QUANTITY.
2. THE FIBER-DUCT 4x4 VERTICAL TEE FITTING IS DESIGNED WITH A MINIMUM 2" (50.8) BEND RADIUS TO PROTECT FIBER OPTIC CABLES.
3. DIMENSIONS IN PARENTHESES ARE IN METRIC.



ENG. REF.: D35245CH\_DC\_FVT4X4\_02.prt

CAD FILENAME/LAYERS: FVT4X4.pdf

**PANDUIT** CORP TINLEY PARK, ILLINOIS  
**FIBER-DUCT 4x4 VERTICAL TEE FITTING (FVT4X4)**  
 CUSTOMER DRAWING

UNLESS OTHERWISE SPECIFIED, DIMENSIONAL TOLERANCES ARE:  
 (.X) ± (.XXX) ±  
 (.XX) ± .03 (.8) ANGLES ±

UNLESS OTHERWISE SPECIFIED, ALL DIMENSIONS ARE GIVEN IN INCHES, THIRD ANGLE PROJECTION.

DRAWN BY: JBA  
 DATE: 6-17-97  
 CHECK'D: HIW

MAT'L: ABS

SCALE: NONE

DRAWING NO.: 35245-34  
 DWG SIZE: A

REV	DATE	BY	CHK	DESCRIPTION	ECN	R	CUST	SUP	GMBH
-	-----	---	--	I. REVISED GENERAL NOTES. H. REVISED PART WEIGHT.	-----	--	--		
-	-----	---	--	G. REVISED MATERIAL. F. REVISED DRAWING TITLE.	-----	--	--		
3	12-28-06	MSO	RN	E. REVISED CAD FILENAME. D. REVISED AND REDRAWN.	35245-34	RN	RN		